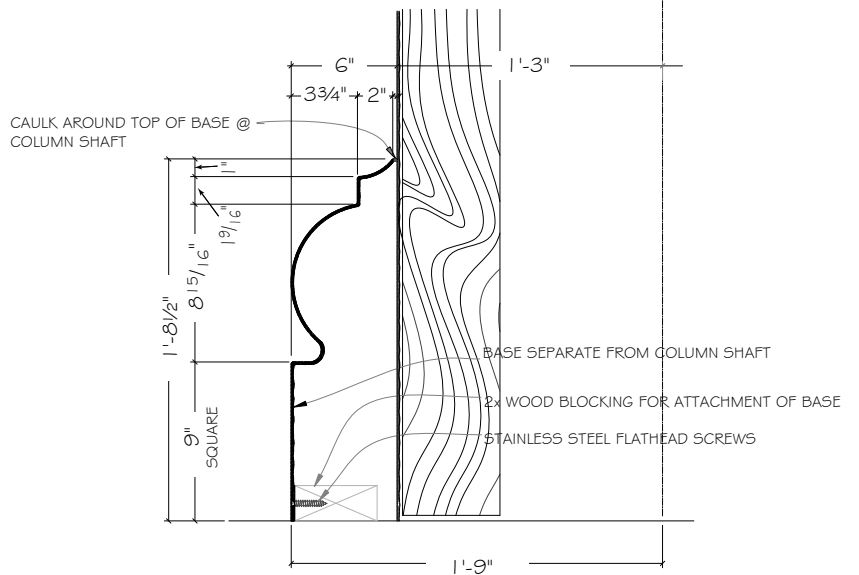


SECTION @ PILASTER CAPITAL



SECTION @ PILASTER BASE

## EP-133 TUSCAN PILASTER